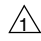
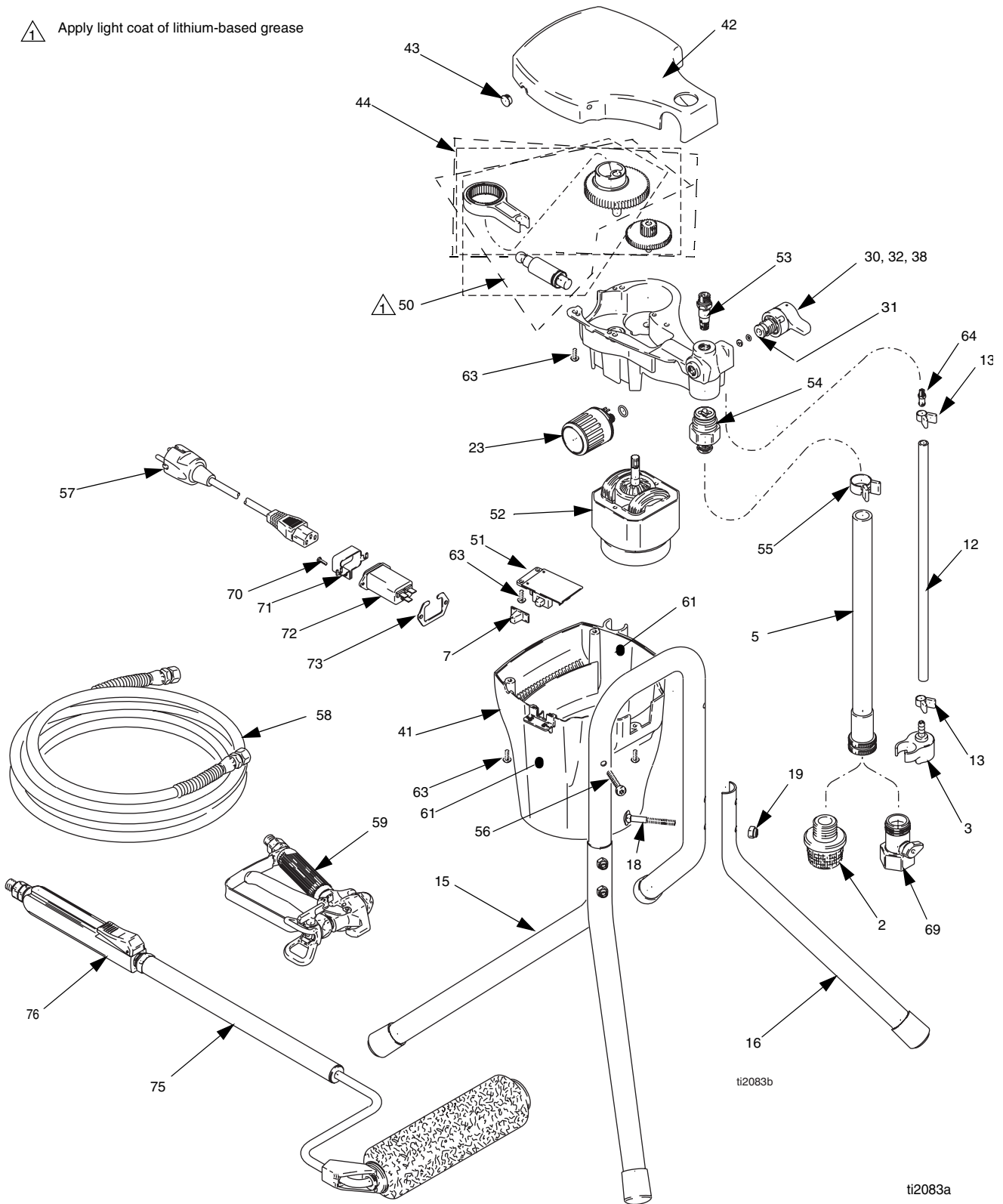


# dx Pressure Roller/Spray System

Model 232736, 232737, 232738

 Apply light coat of lithium-based grease



# Parts

## dx Pressure Roller/Spray System

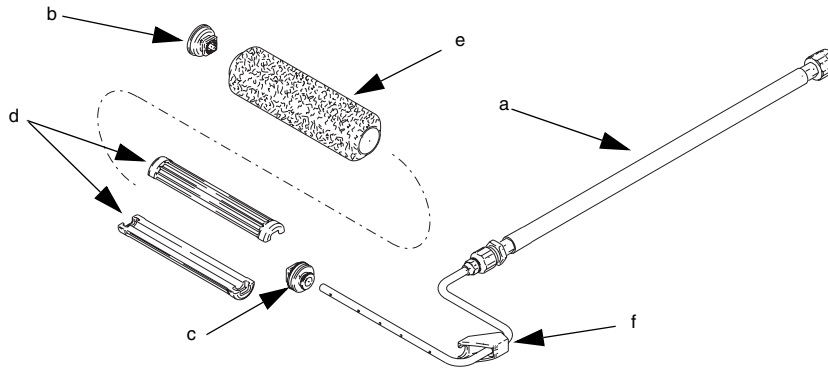
Model 232736, 232737, 232738

Ref No.	Part No.	Description	Qty	Ref No.	Part No.	Description	Qty
2	243082	STRAINER	1		245727	CORD, Denmark	1
3	244035	DEFLECTOR, barbed	1		245728	CORD, Australia	1
5	15A473	TUBE, suction	1		245729	CORD, Sweden	1
12	15A475	TUBE, spray	1	58	241922	HOSE, paint, 1/4 in. x 25 ft	1
13	115489	CLAMP, drain tube	2	59	243238	GUN, spray, (models 232736 & 232737) includes manual 309097	1
15	15A680	FRAME, stand	1		243382	GUN, spray (model 232738) includes manual 309097	1
16	15H772	LEG, stand	2				
18	113955	SCREW, curved head	4	61▲	243308	KIT, label, warning	1
19	102040	NUT, locking	4	63	115477	SCREW, machine, pan head	9
23	246286	KIT, pressure switch repair	1	64	196574	FITTING, drain	1
30	224807	CAM, drain valve	1	69	115648	VALVE, shutoff, power flush	1
31	235014	KIT, valve repair	1	70	117219	SCREW, M3, washerhead	2
32	111600	DRIVE PIN, drain valve	1	71	115632	CLAMP, power cord	1
38	187625	HANDLE, drain valve	1	72	245648	FILTER, EMI	1
41	245647	KIT, motor enclosure	1	73	15A467	BRACKET, filter	1
42	245678	KIT, cover	1	75	245589	ROLLER ACCESSORY (manual 3W9470, 3X9470, 3Y9470, 3Z9470)	1
43	117220	PLUG, snap in	1				
44	245149	KIT, gear (includes 2 gears and connecting rod)	1	76	245590	VALVE, roller (manual 3W9470, 3X9470, 3Y9470, 3Z9470)	1
50	245078	KIT, pump repair	1	77	246187	ADAPTER, Geka to 3/4 in. GHT (not shown)	1
51	245677	KIT, control board 230V	1				
52	245646	KIT, motor repair 230V	1	78	245856	KIT, pressure gage (not shown) (included with models 232736 and 232737 only).	1
53	245076	KIT, outlet valve	1				
54	245077	KIT, inlet valve	1				
55	116295	CLAMP, spring, .88 dia.	1				
56	115478	SCREW, machine, pan head	2				
57	245725	CORD, Schuko CEE7/7	1				
	245726	CORD, Italy	1				

▲ Replacement Danger and Warning labels, tags, and cards are available at no cost.

# Pressure Roller Assembly

Model 245589



75a	15A586	TUBE, extension	1
75b	245999	CAP, end, roller	1
75c	246277	CAP, end, roller	1
75d	15B065	CORE, roller	1
75e	107590	BRUSH, roller, 9 in. x 1/2 in. nap	1
75f	197106	CLIP, roller	1